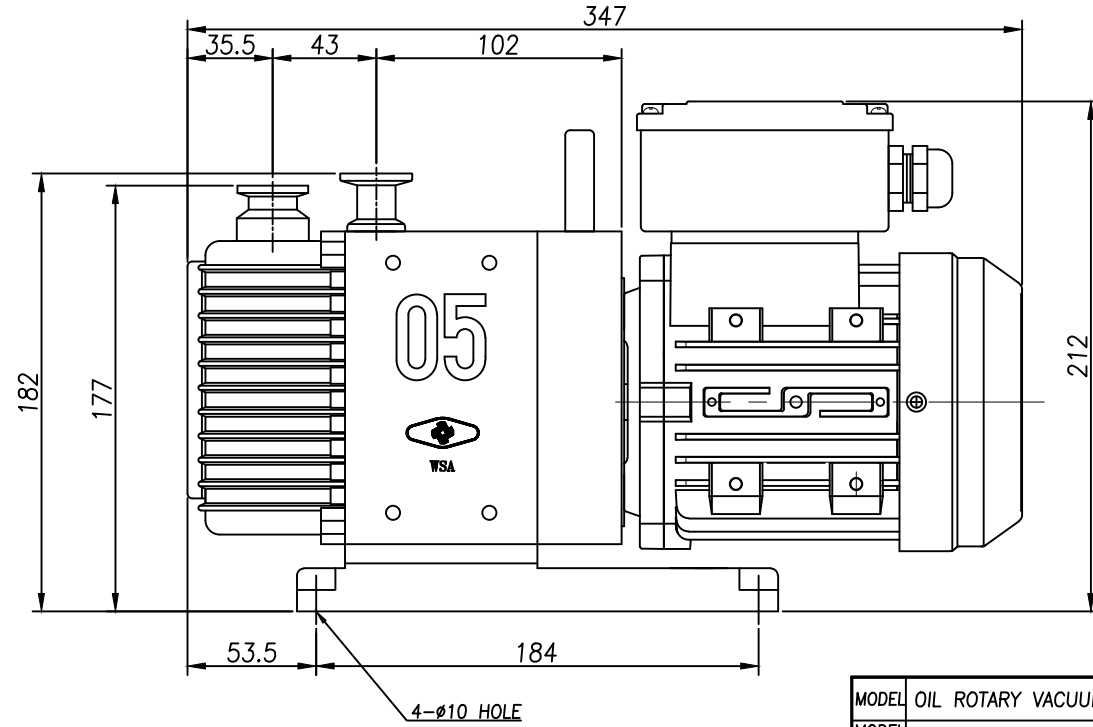
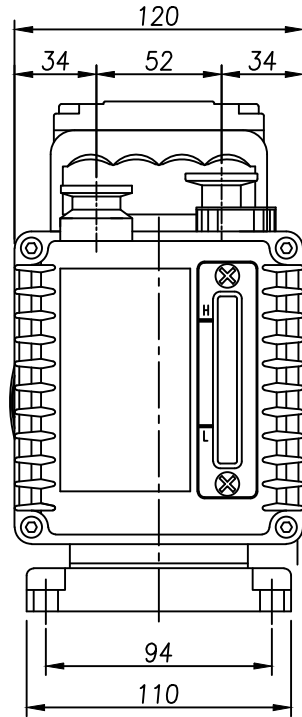
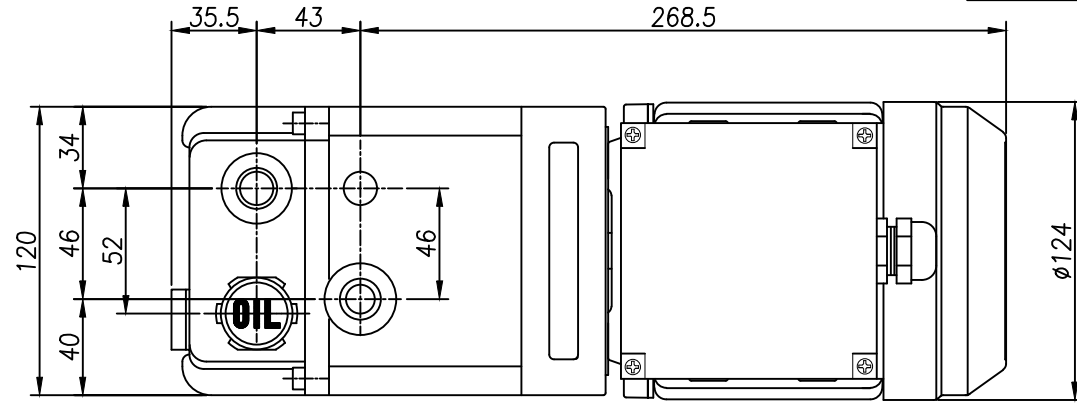

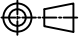


REVISION	DATE	DESCRIPTION
1		

W2V05

(FOR MOTOR 120W)



MODEL	OIL ROTARY VACUUM PUMP	DRAWN	DESIGNED	CHECKED	APPROVED
MODEL NO.	W2V05				
DWG NO.	W2V05-S	CUSTOMER	STANDARD		
 (주)더블유에스에이 WSA CO., LTD.			DATE	SCALE(A4)	
			JUL. 10 2014		