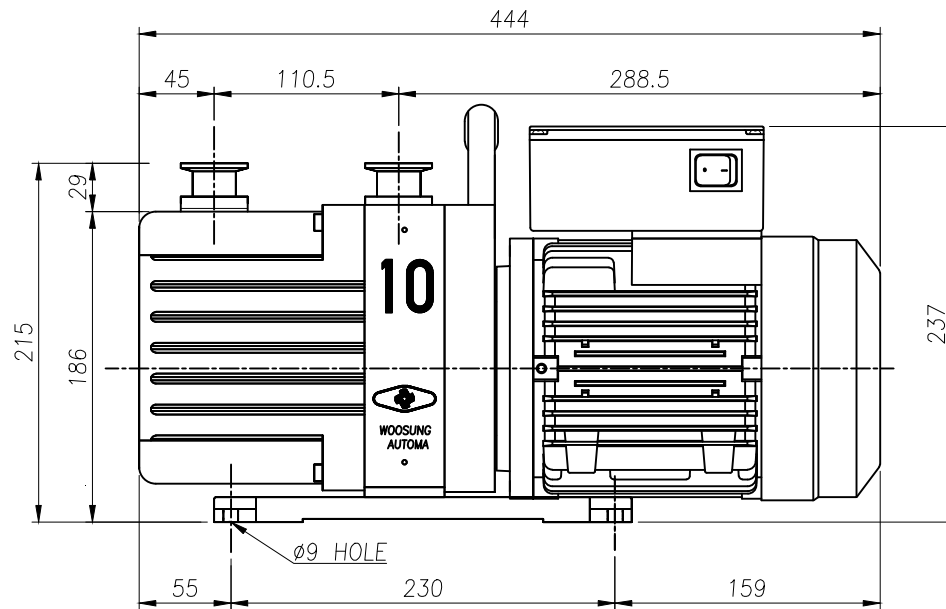
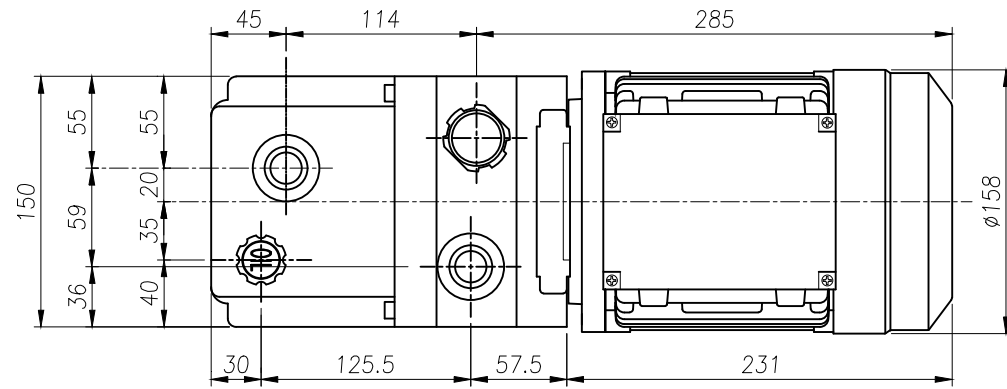
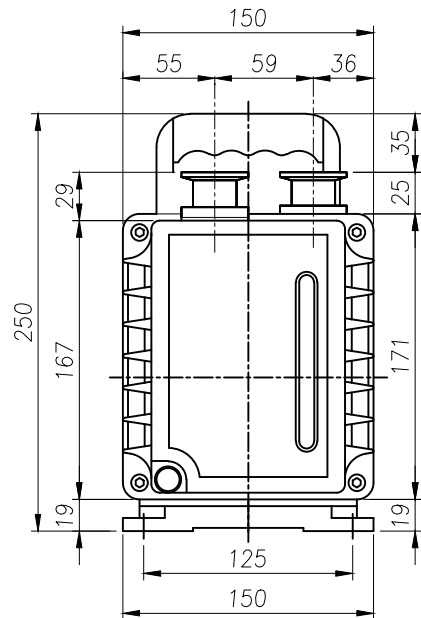




# W2V10



\* 1 PHASE MOTOR

MODEL	OIL ROTARY VACUUM PUMP	DRAWN	DESIGNED	CHECKED	APPROVED
MODEL NO.	W2V10				
DWG NO.	W2V10-S	CUSTOMER	STANDARD		
 祐成 오토마 株式會社 WOOSUNG AUTOMA CO., LTD.			DATE	SCALE(A4)	
			NOV. 2010	1/5	