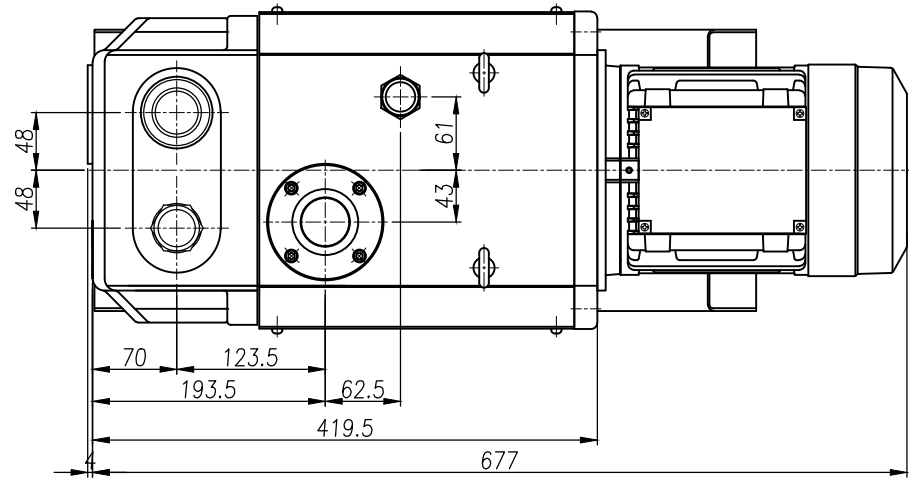
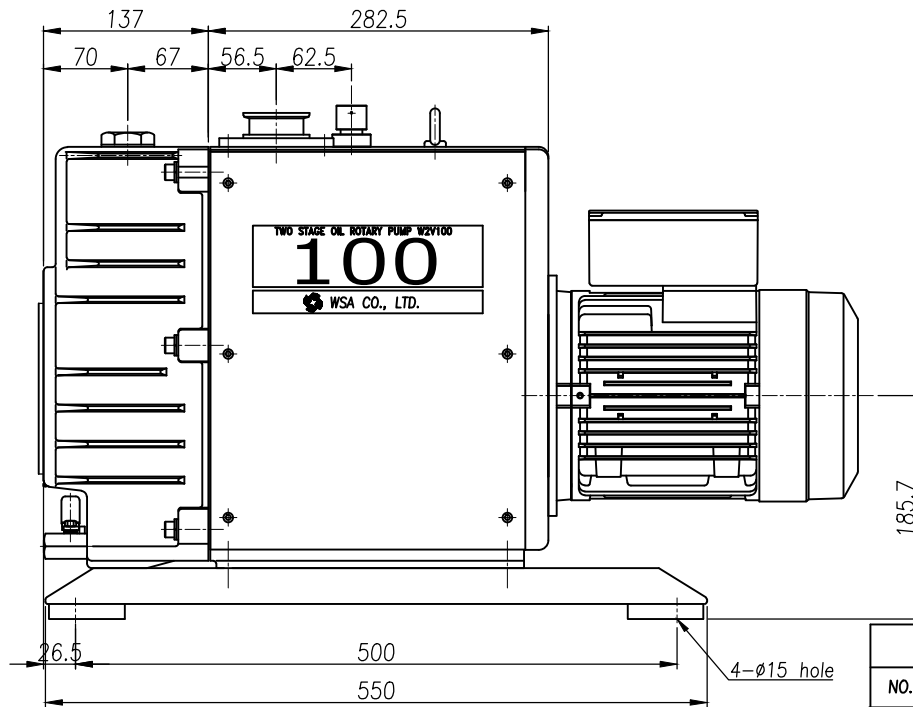
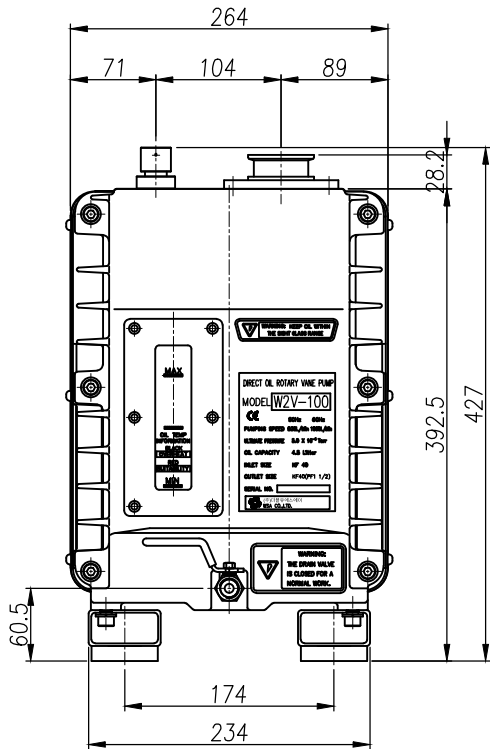


W2V100



REVISION	DATE	DESCRIPTION
1		



DIMENSIONS					
NO.	PART NAME	MATERIAL	QTY	REMARK	
MODEL	OIL ROTARY VACUUM PUMP	DRAWN	DESIGNED	CHECKED	APPROVED
MODEL NO.	W2V100				
DWG NO.	W2V100-S	CUSTOMER	STANDARD		
(주)더블유에스에이 WSA CO., LTD.			DATE	SCALE(A4)	
			JUL. 14 2014	1/7	