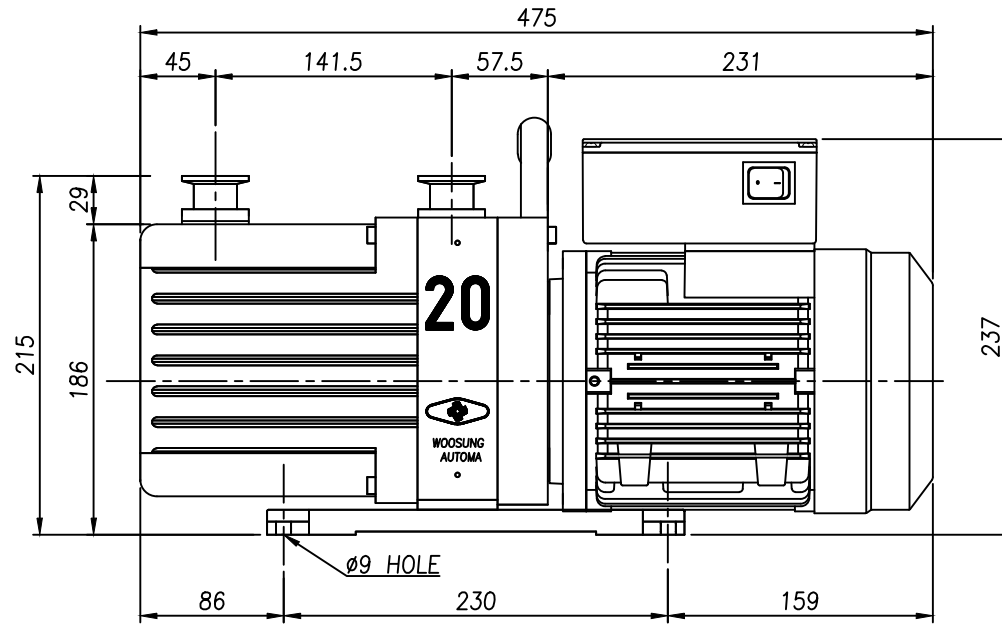
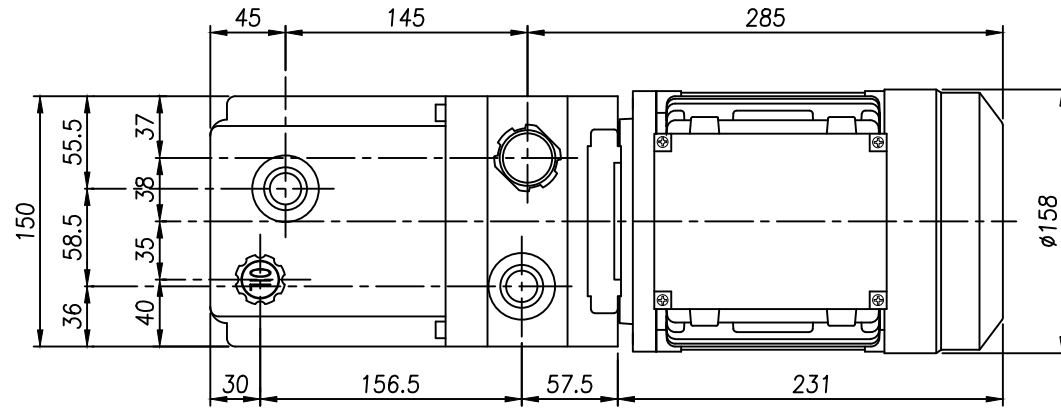
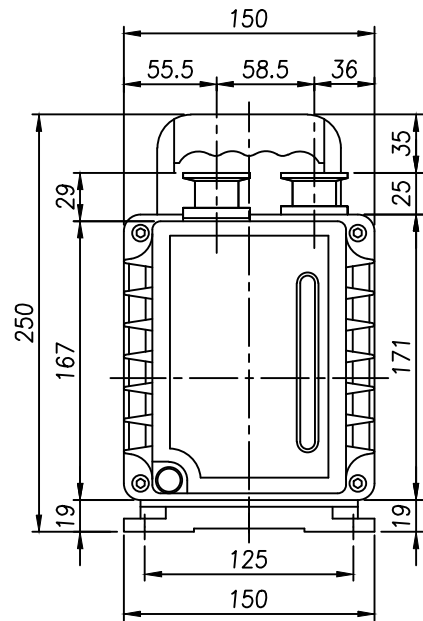



W2V20



1 PHASE MOTOR

MODEL	OIL ROTARY VACUUM PUMP	DRAWN	DESIGNED	CHECKED	APPROVED
MODEL NO.	W2V20				
DWG NO.	W2V20-S	CUSTOMER	STANDARD		
 祐成 오토마 株式會社 WOOSUNG AUTOMA CO.		DATE	SCALE(A4)		
		NOV. 10, 2010	1/5	