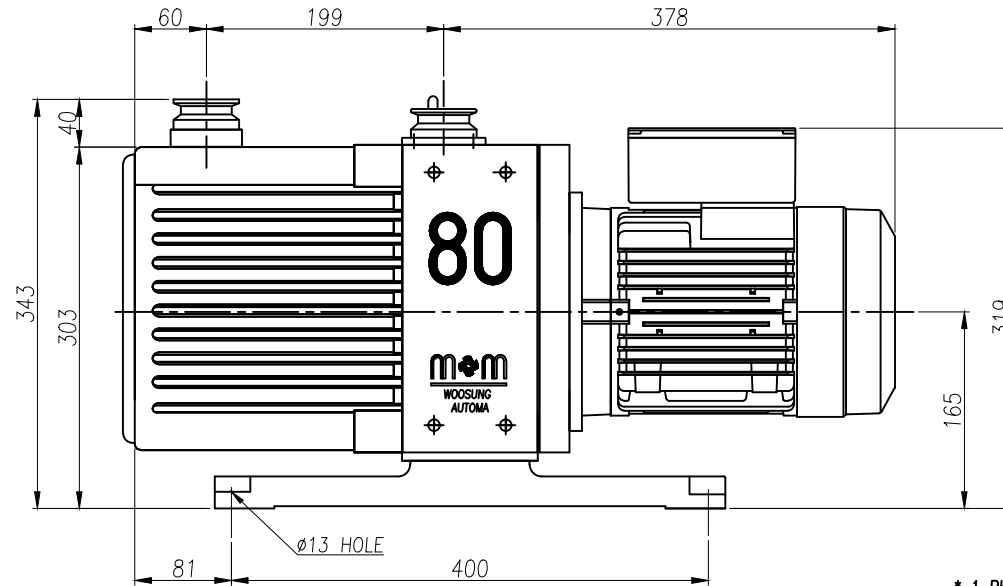
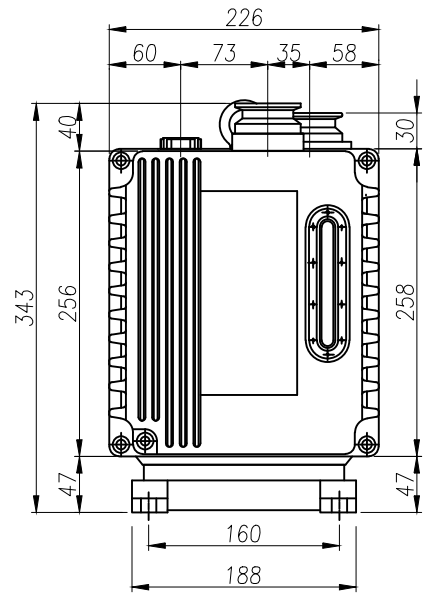
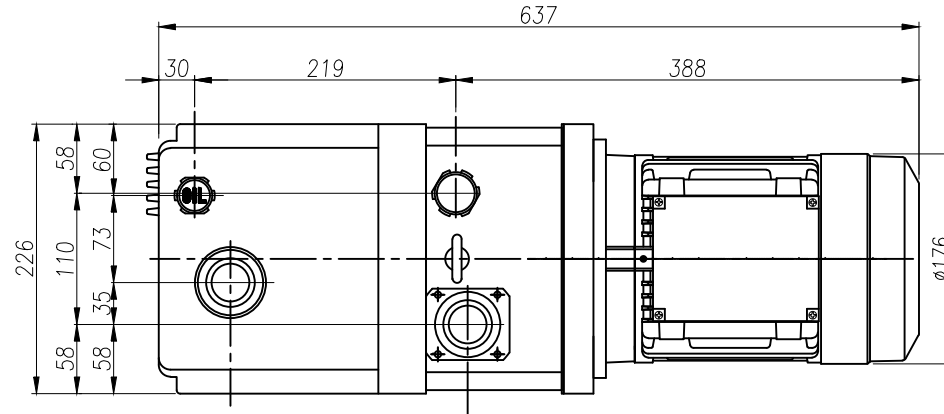

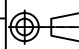


W2V80

REVISION	DATE	DESCRIPTION
①		



* 1 PHASE MOTOR

DIMENSIONS					
NO.	PART NAME	MATERIAL	QTY	REMARK	
MODEL	OIL ROTARY VACUUM PUMP	DRAWN	DESIGNED	CHECKED	APPROVED
MODEL NO.	W2V80				
DWG NO.	W2V80-SR	CUSTOMER	STANDARD		
 祐成 오토마 株式會社 WOOSUNG AUTOMA CO.,			DATE	SCALE(A4)	
			NOV. 07 2010	1/7	